

ATC/IMRS4852310

1

M

*	HCMXB-2RS485-BD	V1.00	0.15W	RS485 ModbusRTU/ASCII

M

M

1.1


1.1.1


--	--

--	--


--	--

1.1.2

	
<input type="checkbox"/>	
<input type="checkbox"/>	
<input type="checkbox"/>	RUN STOP

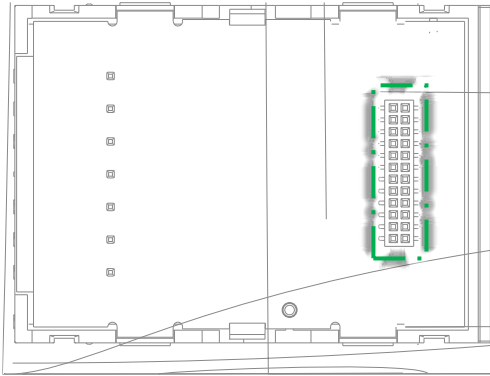
	
<input type="checkbox"/>	
<input type="checkbox"/>	*
<input type="checkbox"/>	
<input type="checkbox"/>	
<input type="checkbox"/>	---
<input type="checkbox"/>	---
<input type="checkbox"/>	---

	
<input type="checkbox"/>	

	
<input type="checkbox"/>	



### 2.2.2

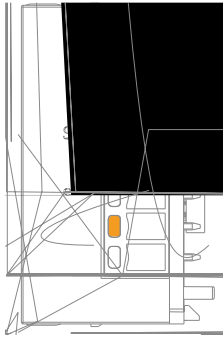


3 HCMXB-2RS485-BD

2 HCMXB-2RS485-BD

24PIN	

### 2.2.3



4 HCMXB-2RS485-BD

3

	RS485
	RS485
	RS485

### 2.2.4

4

	RS485	1.
		2. COM
		3.
		4.

## 2.3



5 HCMXB-2RS485-BD

mm

### 3

#### 3.1

g		15		
mm		18.6 (W) *51.1 (H)*36.1 (D)		
		0-50		
		-25-75		
		5-95%RH		
		5-95% RH		
		1m 2		
			5-150Hz	
			3.5mm	
			1.0g	
			3	
			± 4kV, ± 8kV	
			± 2kV 5-100kHz	
			± 2kV 5-100kHz	
			- ± 500V	
			-PE ± 500V	
		15g 11ms	3	
/		2000m (80kPa)		
		IP20		
		PPE		

#### 3.2

		DC 5V	DC4.75V DC5.25V
		25mA	DC 5V

#### 3.3

		2	
		RS485	
		COM	Modbus

	RTU/ASCII
	32
	120
	9600bps 19200bps 38400bps 57600bps 115200bps
	7 8 8
	1
	1 2

## 4

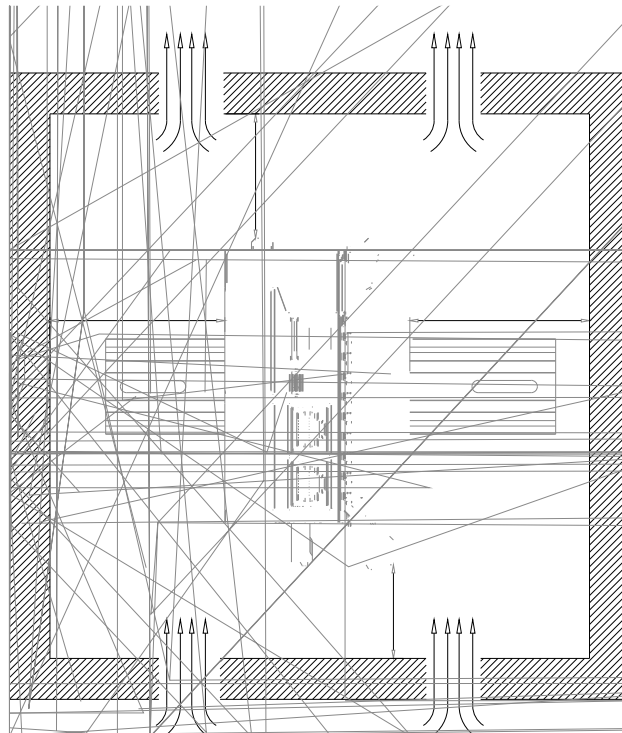
### 4.1

#### 4.1.1

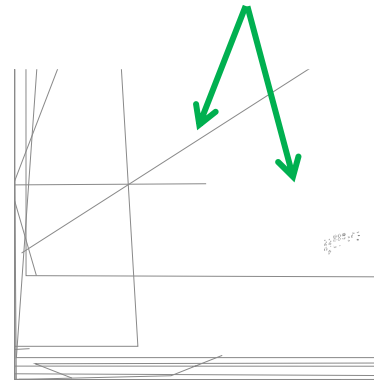
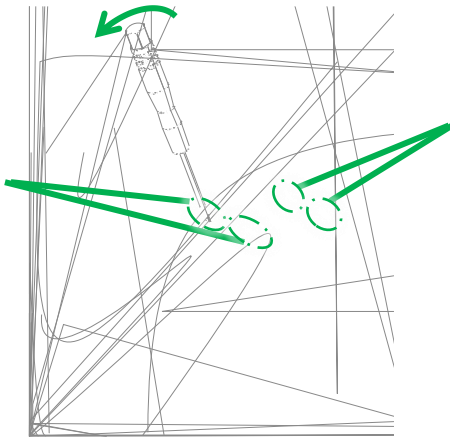
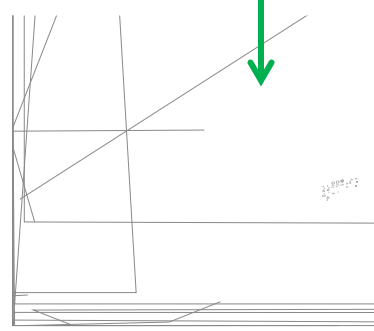
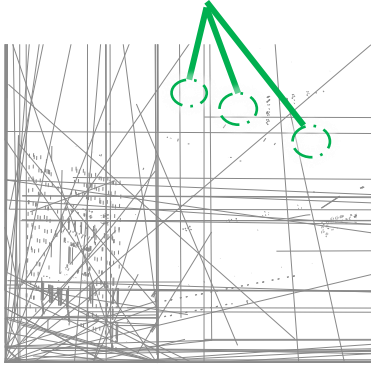
1 PLC 35MM

2 PLC PLC

3 10mm



4.1.2

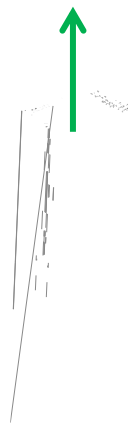


4.1.3

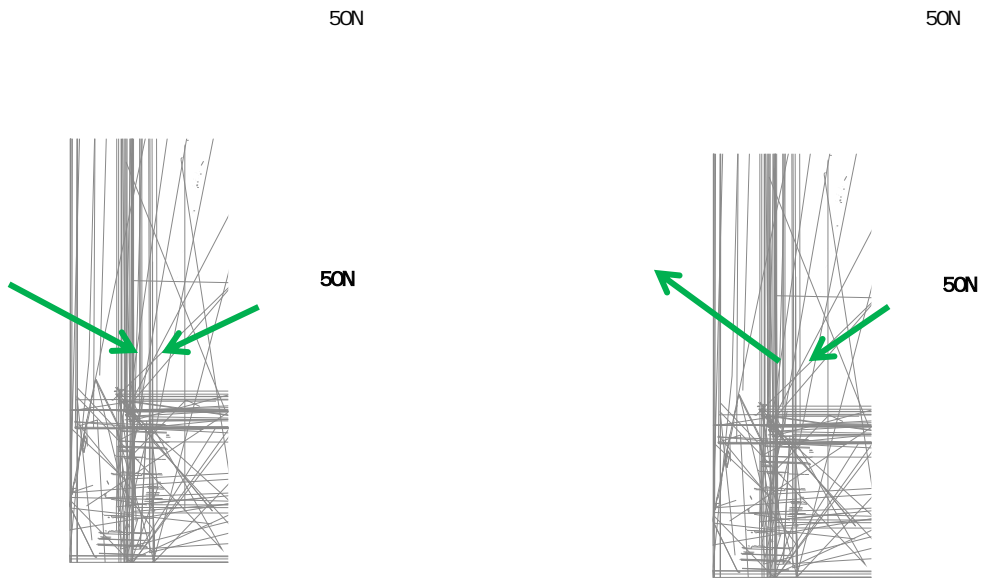
7PIN



7PIN



#### 4.1.4



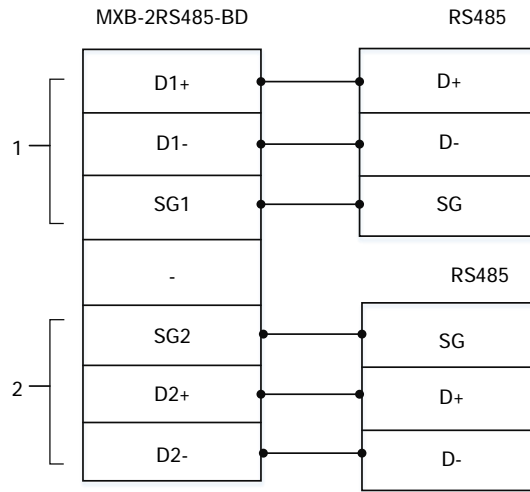
## 4.2

### 4.2.1

PIN	50N
mm <sup>2</sup> /AWG	0.2-1.5/28-16
mm /	3.5Pitch=7P
mm	9-10
	-40~+105
	95%RH +40
RoHS	

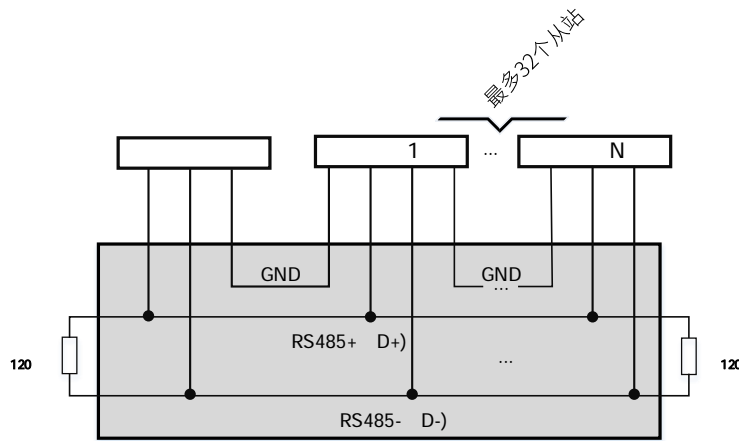
## 4.2.2

RS485



6 HCMXB-2RS485-BD

RS485                  RS485                  120                  RS485



7 HCMXB-2RS485-BD

➤	1.	RS485	120	1/4
	2.			
	3.	RS485		

## 5 RS485

HCM511S

